

## TRUCK, UTILITY, 1/4 TON, GS, LANDROVER SERIES 11

### VENTILATION CONTROL

#### MODIFICATION INSTRUCTION

REFERENCE:- AC in WM No 17120/1.

NOTE:- This instruction supersedes previous issues, all copies of which will be destroyed. There is no significant change.

#### SUMMARY

1. This instruction details the method to ensure efficient operation of the ventilator control.

Estimated manhours to perform: 1.0

2. Priority: Group 2

3. Vehicles affected:

All subject vehicles

4. Items affected:

Ventilator Control

5. Action required: By RAEME authorised to carry out unit repair or work in accordance with WKSP A 850.

6. Stores required: Available through normal channels.

Sec/Cat No	Designation	Qty per Veh
5315-66-017-5935	PIN, cotter, split, mild steel, 1/8 in x 1 in	2
5310-99-941-8609	WASHER, plain, steel, precision, zinc coated 3/8 in	2

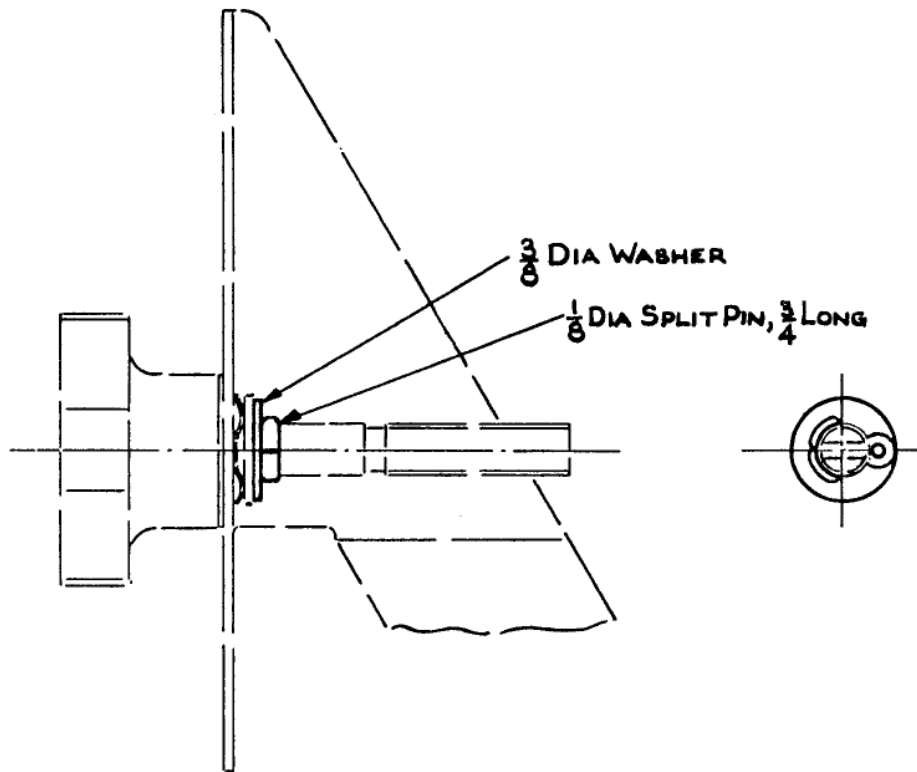
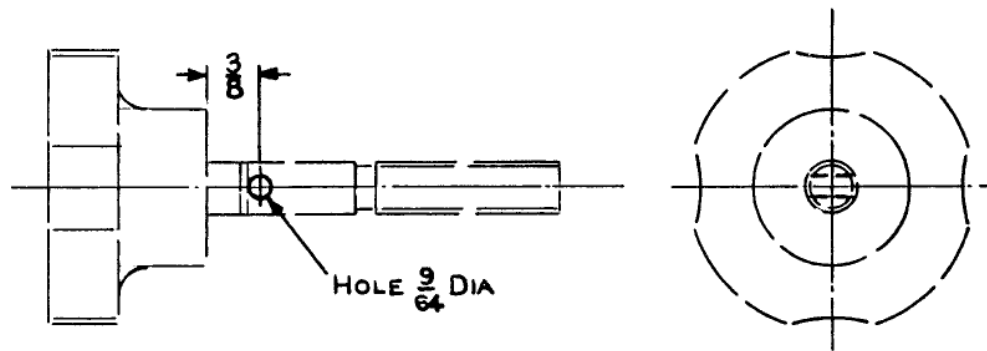
7. Stores removed: To be discarded.

Circlip from Control Handle

#### DETAIL

8. Proceed as follows:-

- (a) Remove ventilator controls from dash.
- (b) Remove circlip from operating handle and remove handle.
- (c) Drill a 9/16 in hole through shaft (fig 1).
- (d) Reassemble handle using a 3/8 in flat washer in place of circlip (fig 1).
- (e) Insert 1/8 in split pin in hole.
- (f) Replace ventilator controls.



Dimensions are in inches

FIG 1 - VENTILATOR CONTROL

E N D